



INSTALLATION INSTRUCTIONS FOR PART 99-9302

APPLICATIONS

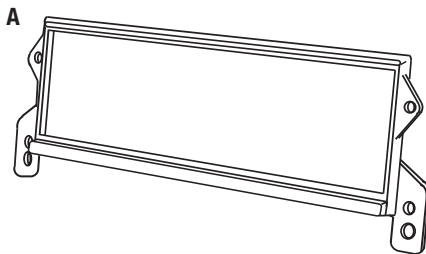
BMW Mini Cooper 2002-2006 BMW Mini Cooper Convertible 2007-2008 99-9302

KIT FEATURES

- Mounting brackets
-

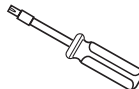
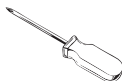
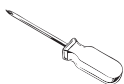
KIT COMPONENTS

- A) Mounting Bracket
-



TOOLS REQUIRED

- Small Flat Blade Screwdriver • Panel Removal Tool • Phillips Screwdriver • T33 Torx Driver



METRA. THE WORLD'S BEST KITS.™



1-800-221-0932



metraonline.com

© COPYRIGHT 2004-2011 METRA ELECTRONICS CORPORATION



99-9302

Table of Contents

Dash Disassembly

- BMW Mini Cooper 2002-2006 3-5
- BMW Mini Cooper Convertible 2007-2008 3-5

Kit Assembly

- DIN mount radio provision 6

Caution

Metra recommends disconnecting the negative battery terminal before beginning any installation. All accessories, switches, and especially air bag indicator lights must be plugged in before reconnecting the battery or cycling the ignition.

****NOTE: Refer also to the instructions included with the aftermarket radio.***



KNOWLEDGE IS POWER

Enhance your installation and fabrication skills by enrolling in the most recognized and respected mobile electronics school in our industry. Log onto www.installerinstitute.com or call 800-354-6782 for more information and take steps toward a better tomorrow.

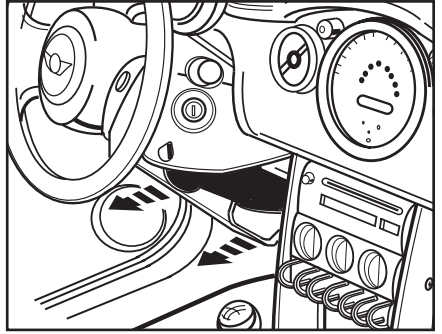


Metra recommends MECP certified technicians

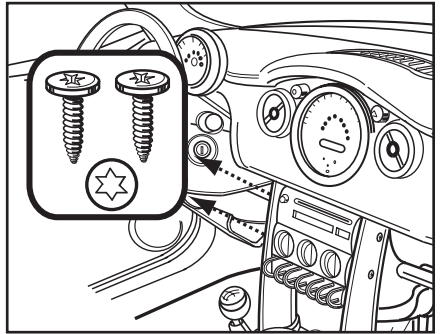
Dash Disassembly

1. Carefully pry out both top edges of driver's knee panel and allow panel to hang. (Figure A)
2. Remove (2) Torx T-33 screws from driver's side rail trim. (Figure B)
3. Remove (2) Torx T-33 screws from passenger side rail trim. (On specially equipped models, it may be necessary to open the glove box to access these (2) screws). (Figure C)

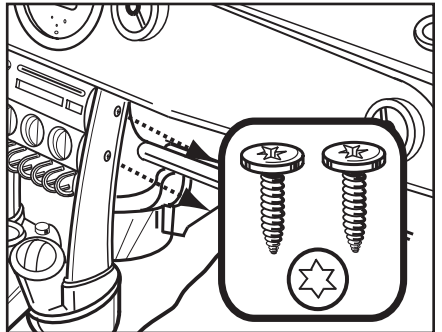
Continued on next page



(Figure A)



(Figure B)

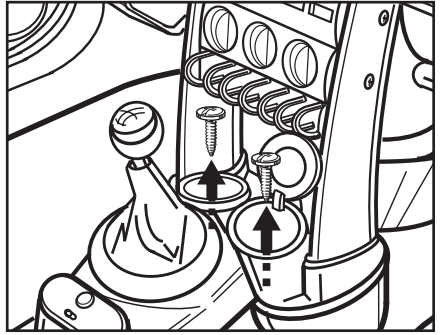


(Figure C)

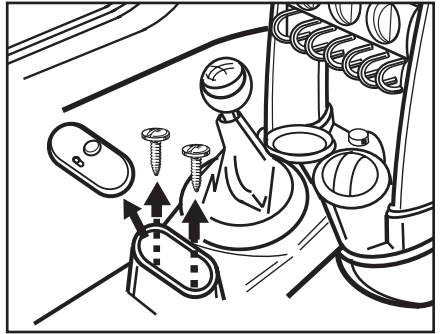
Dash Disassembly

4. Remove (1) Phillips screw from each cup holder. (Figure D)
5. Carefully pry up mirror adjustment switch panel and remove (2) Phillips screws. (Figure E)
6. Slide cup holder/gear shift assembly toward rear of car and carefully remove side rail trims. (Figure F)

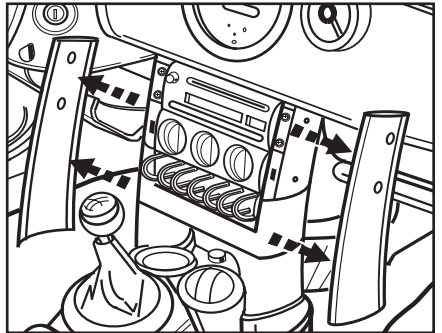
Continue to next page



(Figure D)



(Figure E)

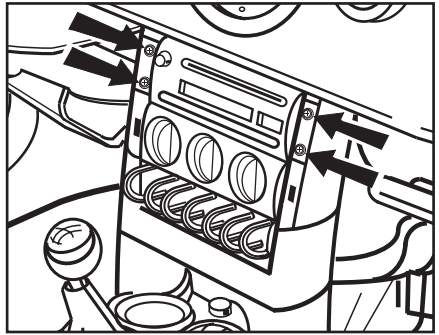


(Figure F)

Dash Disassembly

7. Remove (4) Phillip screws securing radio. Pull out radio, disconnect and remove. (Figure G)

Continue to kit assembly



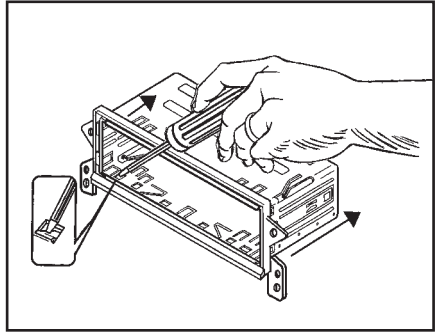
(Figure G)



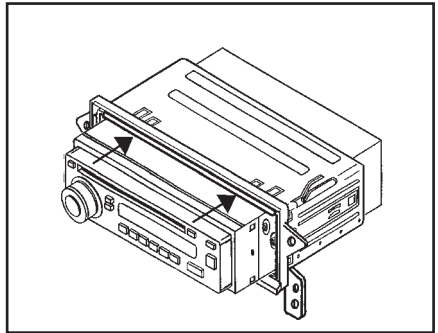
Kit Assembly 99-9302

DIN mount radio provision

1. Locate the factory wiring harness in the dash. Metra recommends using the proper mating adapter from Metra or AXXESS. Re-connect the negative battery terminal and test the unit for proper operation.
2. Slide the DIN cage into the radio opening of the Radio Housing and secure by bending the metal locking tabs outward. (Figure A)
3. Slide the aftermarket radio unit into the cage until it snaps into place. (Figure B)
4. Reassemble dash in reverse order of disassembly.



(Figure A)



(Figure B)



INSTALLATION INSTRUCTIONS FOR PART 99-9302

REV. 5/24/11

METRA. THE WORLD'S BEST KITS.™



1-800-221-0932



metraonline.com

© COPYRIGHT 2004-2011 METRA ELECTRONICS CORPORATION