



INSTALLATION INSTRUCTIONS FOR PART 99-7325

APPLICATIONS

Hyundai Santa Fe 2007-2009

99-7325

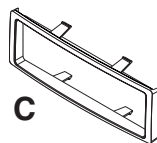
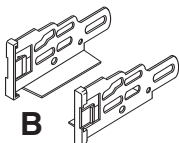
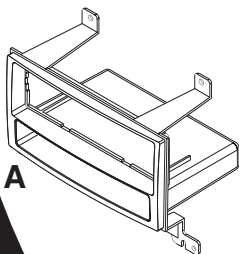
KIT FEATURES

- DIN Radio Provision with Pocket
- ISO Radio Provision with Pocket



KIT COMPONENTS

A) Radio Housing B) ISO Brackets C) Trim Plate



WIRING AND ANTENNA CONNECTIONS (Sold Separately)

Harness:

- 70-7302 - Hyundai harness 2007-up

Antenna Adapter:

- Not required

TOOLS REQUIRED:

Small Flat Blade Screwdriver/ Panel Removal Tool

- Phillips Screwdriver



1-800-221-0932



www.metraonline.com

© COPYRIGHT 2004-2009 METRA ELECTRONICS CORPORATION



TABLE OF CONTENTS

Dash Disassembly

- Hyundai Santa Fe 2007-2009 1

Kit Assembly

- DIN Radio Provision with Pocket 2

- ISO Radio Provision with Pocket 3

Final Assembly 4

***Note:**

Refer also to the instructions included with the aftermarket radio.



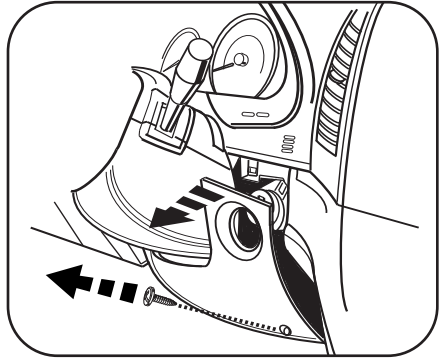
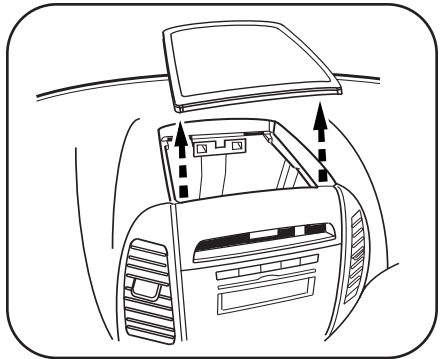
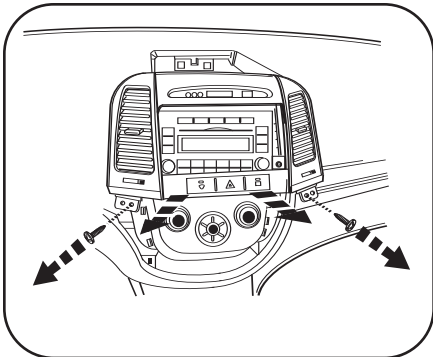
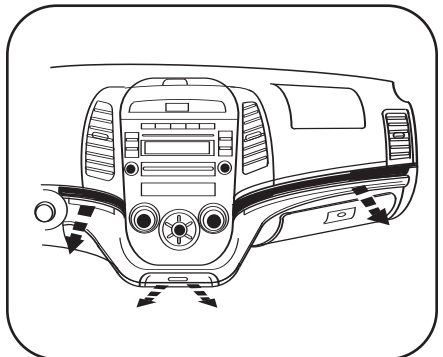
KNOWLEDGE IS POWER

Enhance your installation and fabrication skills by enrolling in the most recognized and respected mobile electronics school in our industry. Log onto www.installerinstitute.com or call 800-354-6782 for more information and take steps toward a better tomorrow.

HYUNDAI SANTA FE 2007-2009

- 1** Disconnect the negative battery terminal to prevent an accidental short circuit.
- 2** Remove (1) Phillips screw from the right side of the panel below the steering column then unclip and left right side of panel hang. (Figure A)
- 3** Unclip and remove the cover above the clock on top of panel surrounding the radio. (Figure B)
- 4** Unclip and remove the panel extending across the dash below the a/c control and above the glove box including the ash tray. (Figure C)
- 5** Remove (2) Phillips screws then unclip and remove the panel surrounding the radio including the a/c vents. (Figure D)
- 6** Remove (4) Phillips screws securing the radio. Unplug and remove radio.

Continue to kit assembly.

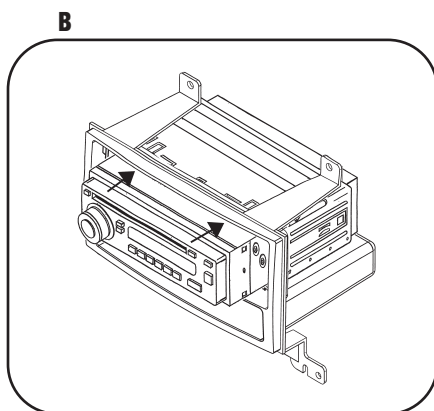
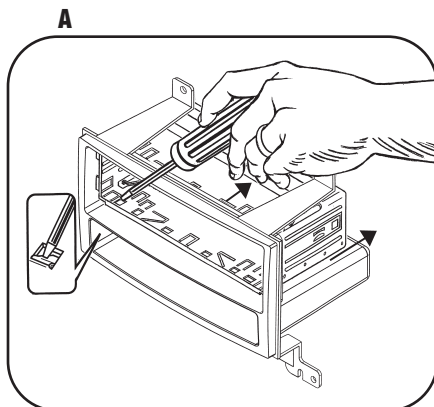
A

B

D

C


DIN RADIO PROVISION WITH POCKET

**Note: Refer also to the instructions included with the aftermarket radio.*

- 1 Slide the DIN cage into the Radio Housing and secure by bending the metal locking tabs outward. (Figure A)
- 2 Slide the aftermarket radio into the cage until it snaps into place. (Figure B)

Continue to final assembly.

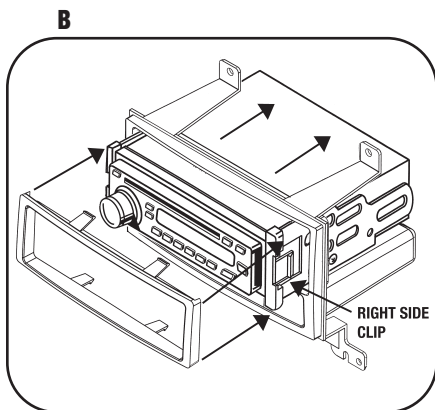
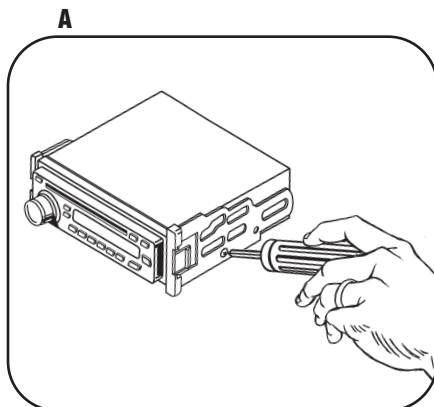


ISO RADIO PROVISION WITH POCKET

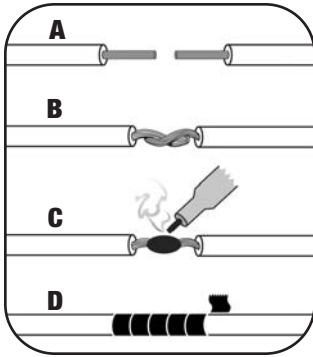
**Note: Refer also to the instructions included with the aftermarket radio.*

- 1** Mount the ISO Brackets to the aftermarket radio using the screws supplied with the radio. (Figure A)
- 2** Slide the radio into the radio opening until the side clips snap into place. (Figure B)
- 3** Snap the trim plate onto the front of the Radio Housing. (Figure B)

Continue to final assembly.



FINAL ASSEMBLY



- (A) Strip wire ends back 1/2"**
- B) Twist ends together**
- C) Solder**
- D) Tape**

- 1** Locate the factory wiring harness in the dash. Metra recommends using the proper mating adapter and making connections as shown. (Isolate and individually tape off the ends of any unused wires to prevent electrical short circuit.)
- 2** Re-connect the negative battery terminal and test the unit for proper operation.
- 3** Reassemble radio and dash assemblies in reverse order of disassembly.

FINAL WIRING CONNECTIONS

Make wiring connections using the EIA color code chart shown below and the instructions included with the head unit. Metra recommends making connections as shown below; Strip, Splice, Solder, Tape. Isolate and individually tape off ends of any unused wires to prevent electrical short circuit.

METRA / EIA WIRING CODE

12V Ignition / Acc. Red	Right Front (+) Gray
12V Batt / Memory Yellow	Right Front (-) Gray/ Black
Ground Black*	Left Front (+) White
Power Antenna Blue	Left Front (-) White / Black
Amp Turn-On Blue / White	Right Rear (+) Violet
Amp Ground Black / White	Right Rear (-) Violet / Black
Illumination Orange	Left Rear (+) Green
Dimmer Orange / White	Left Rear (-) Green / Black

***NOTE:** When a Black wire is not present, ground radio to vehicle chassis.
All colors may not be present on all leads due to manufacturer's specifications.

99-7325 INSTRUCTIONS



1-800-221-0932



www.metraonline.com

REV. 06/19/09 © COPYRIGHT 2004-2009 METRA ELECTRONICS CORPORATION INST99-7325